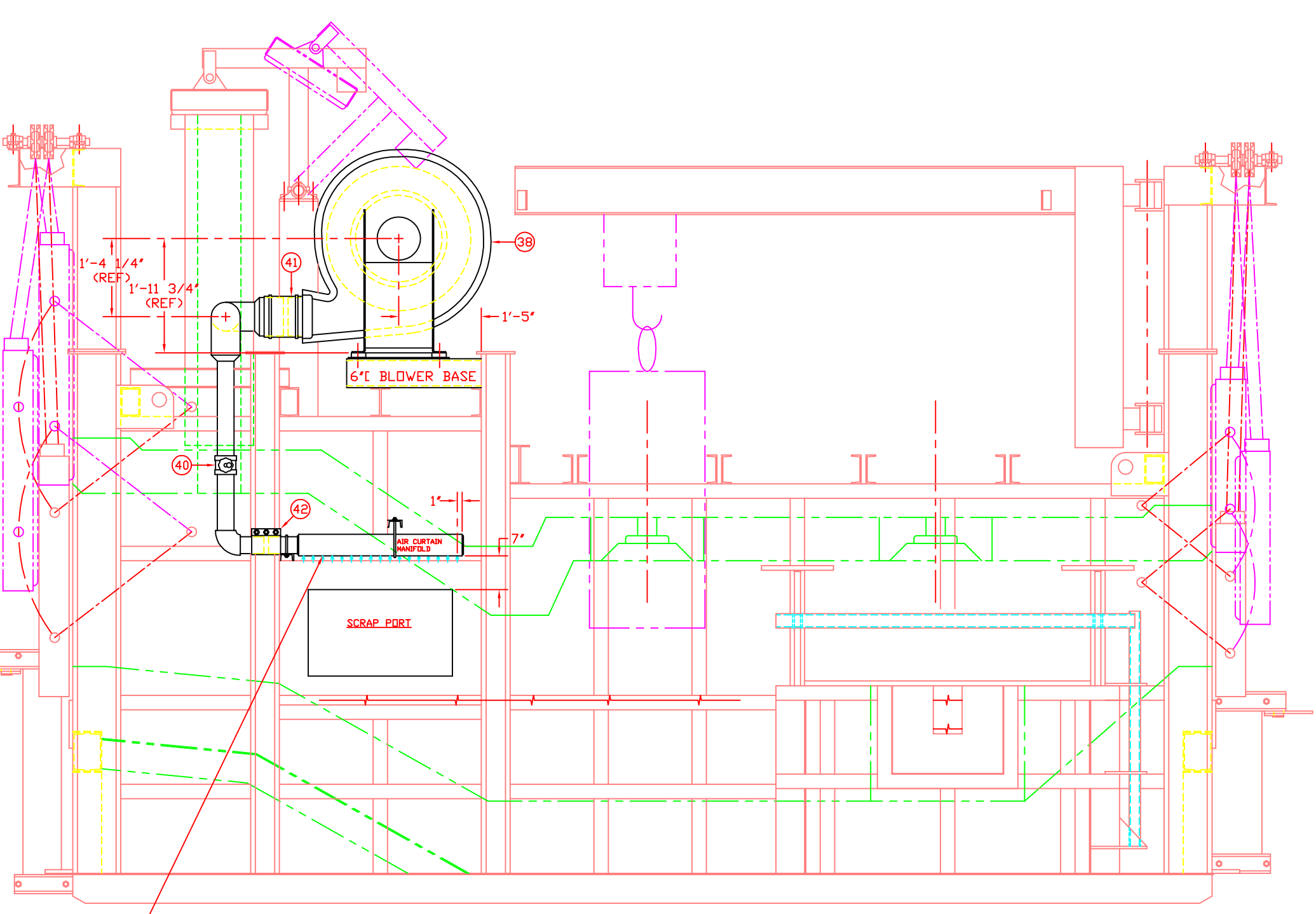


INFORMATION CONTAINED HEREIN IS CONFIDENTIAL AND IS THE PROPERTY OF GENERAL SIGNAL CORPORATION. IT IS TO BE USED SOLELY FOR THE PURPOSE PROVIDED, AND IS NOT TO BE DISCLOSED TO OTHERS WITHOUT THE WRITTEN CONSENT OF GENERAL SIGNAL CORPORATION.

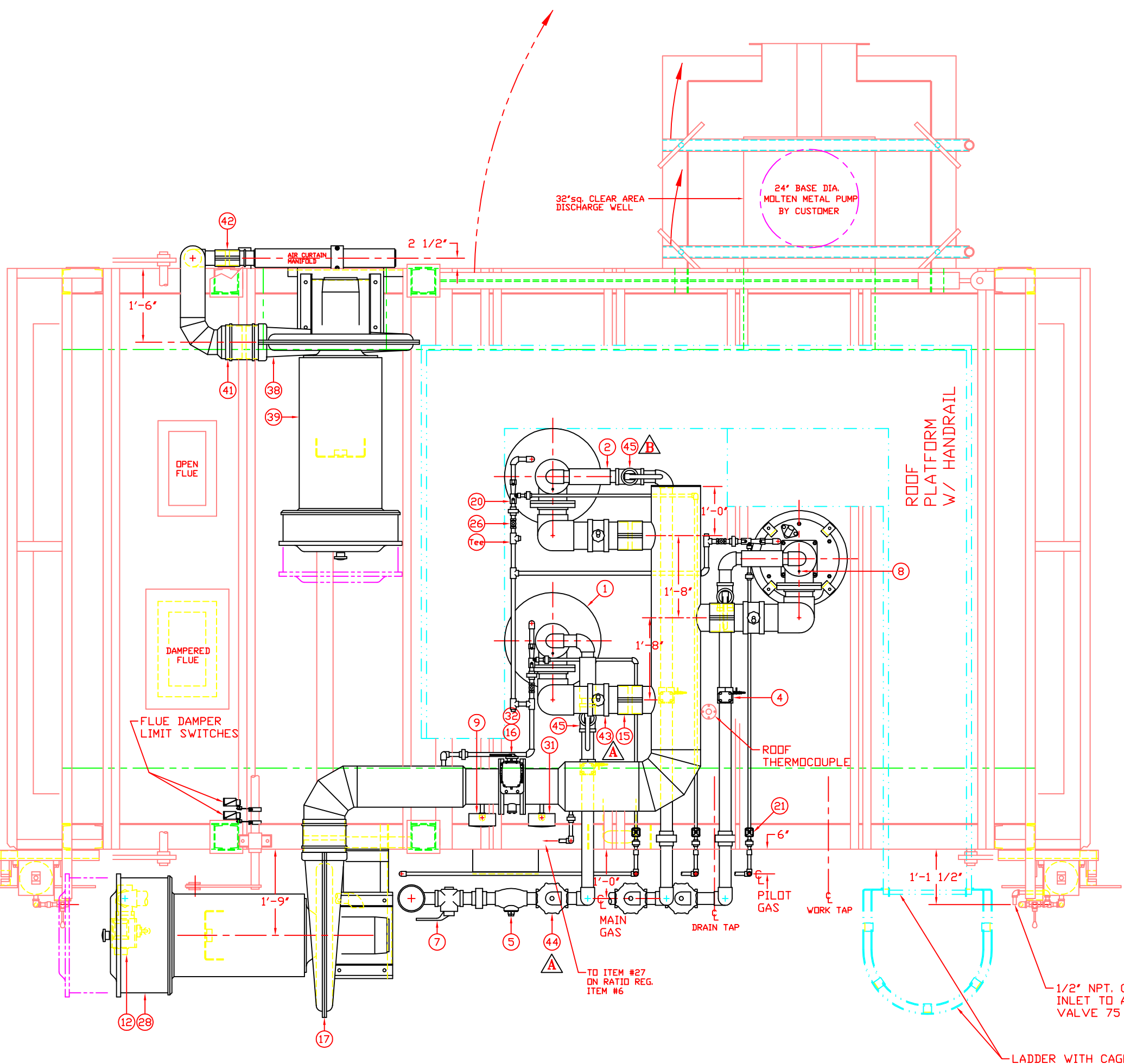
INSTALLER: UNIT MUST BE INSTALLED ACCORDING TO ALL APPLICABLE LOCAL AND NATIONAL INSTALLATION CODES.

SHOP NOTES: BEFORE MPH DRYOUT OR IN FIELD DRYOUT...
 A... BREAK ALL COMBUSTION LINES AT A COMMON POINT.
 B... REMOVE PILOT TIP & U.V. SCANNER HOLDER.
 KEEP COPPER TUBING & IGNITION WIRES ABOVE ROOF CHANNELS.
 PILOT MIXER IS TO BE ISOLATED BY UNIONS.

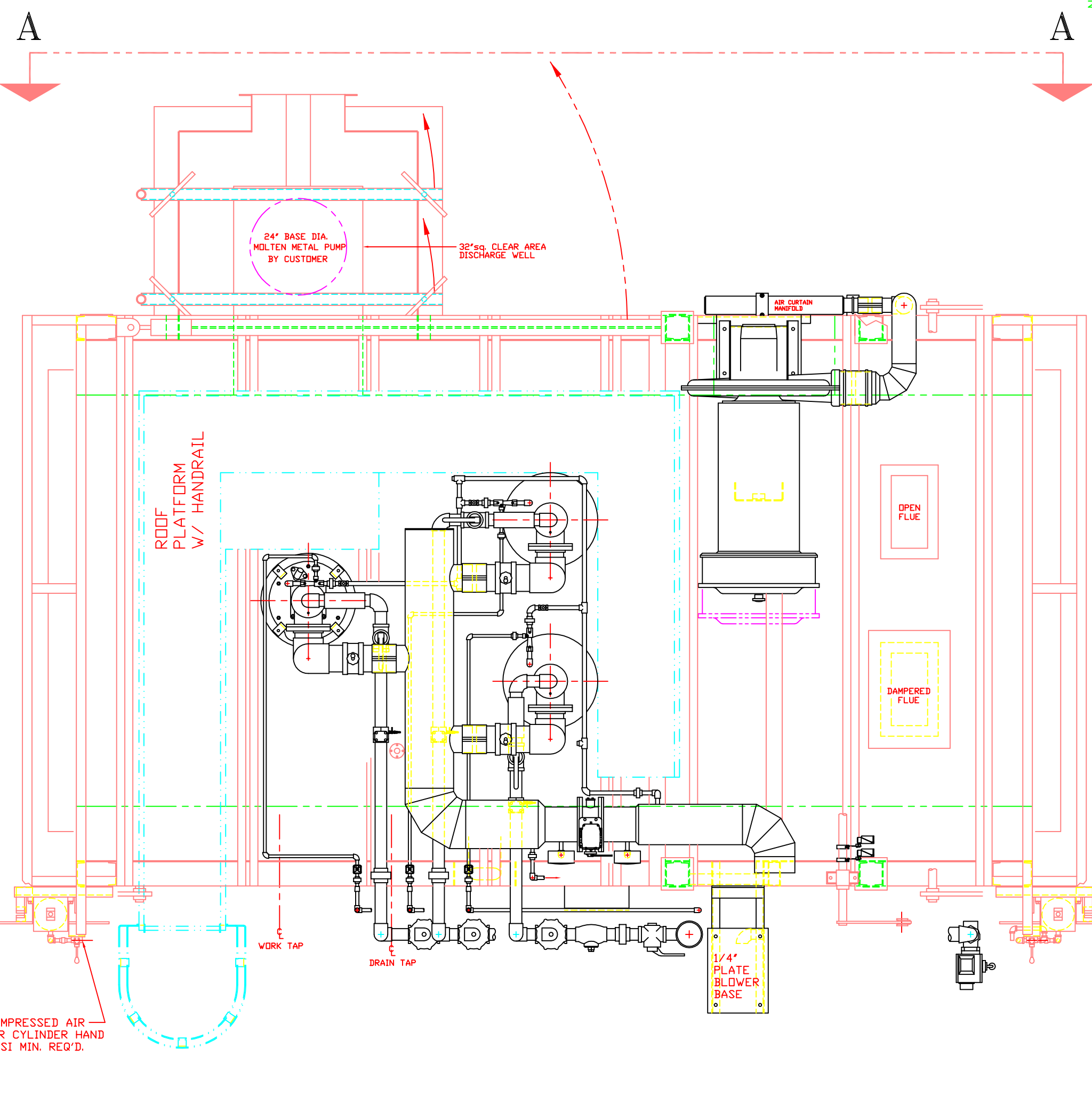
DO NOT USE 'CLOSE NIPPLE' AND 'REDUCING BUSHING' ON GAS TRAIN FOR THIS CGA-CSA SYSTEM



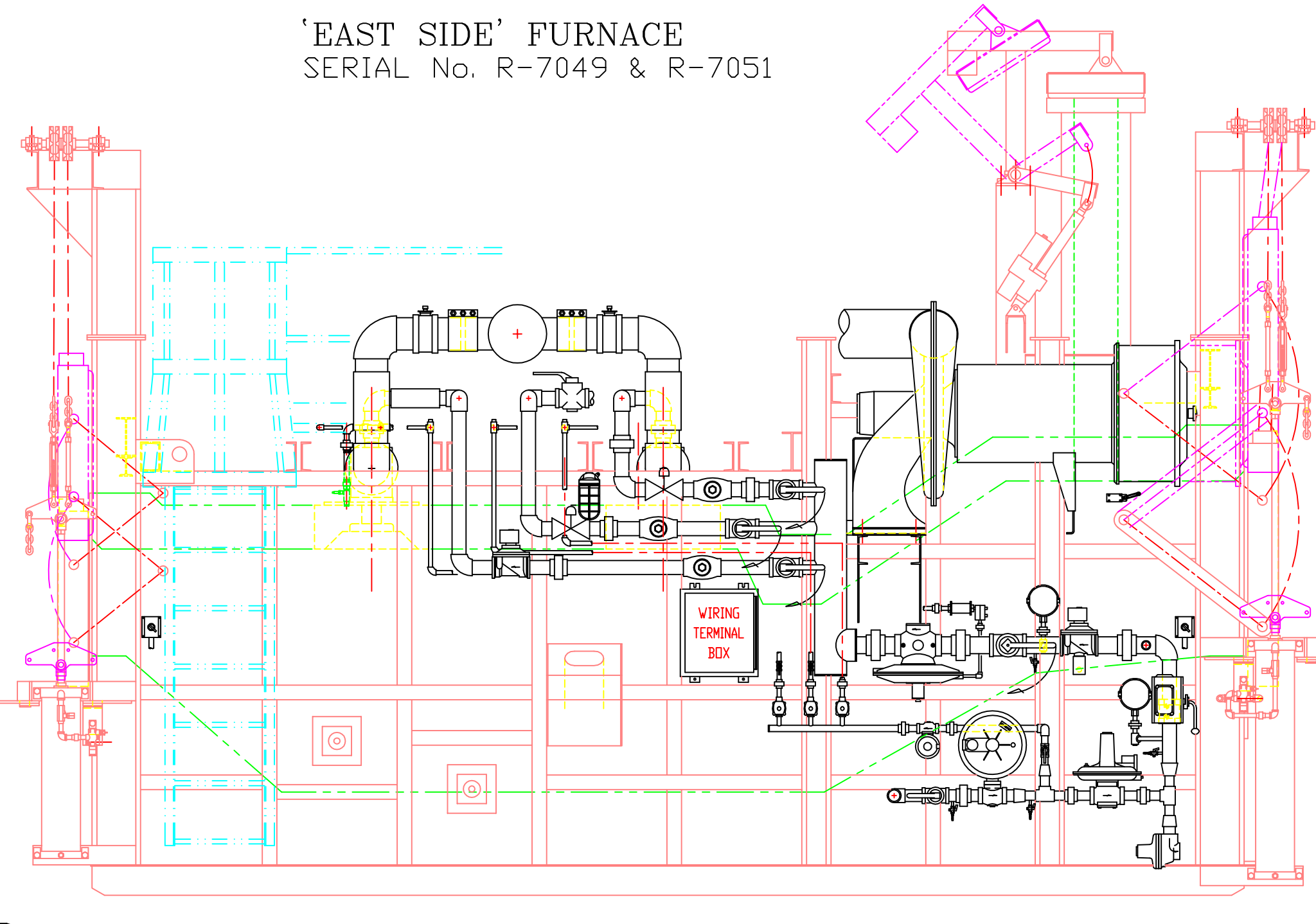
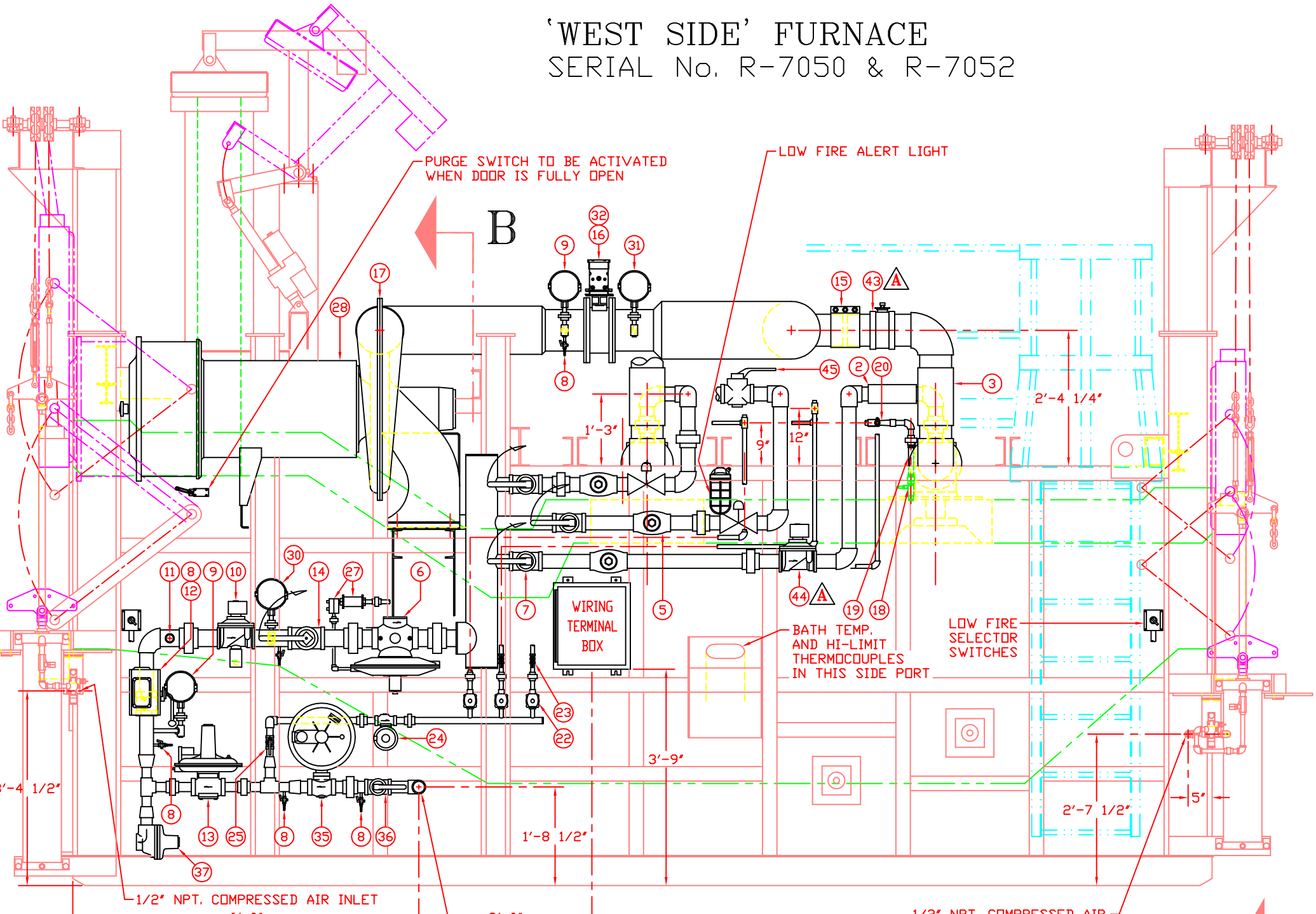
VIEW: A-A
 4" SS PIPE x 2'-10" LONG WITH #7/16" DRILL HOLE THRU ONE WALL 17" PLACES IN LINE 2" APART BEGINNING 1" FROM END AS SHOWN



'WEST SIDE' FURNACE
 SERIAL No. R-7050 & R-7052



'EAST SIDE' FURNACE
 SERIAL No. R-7049 & R-7051



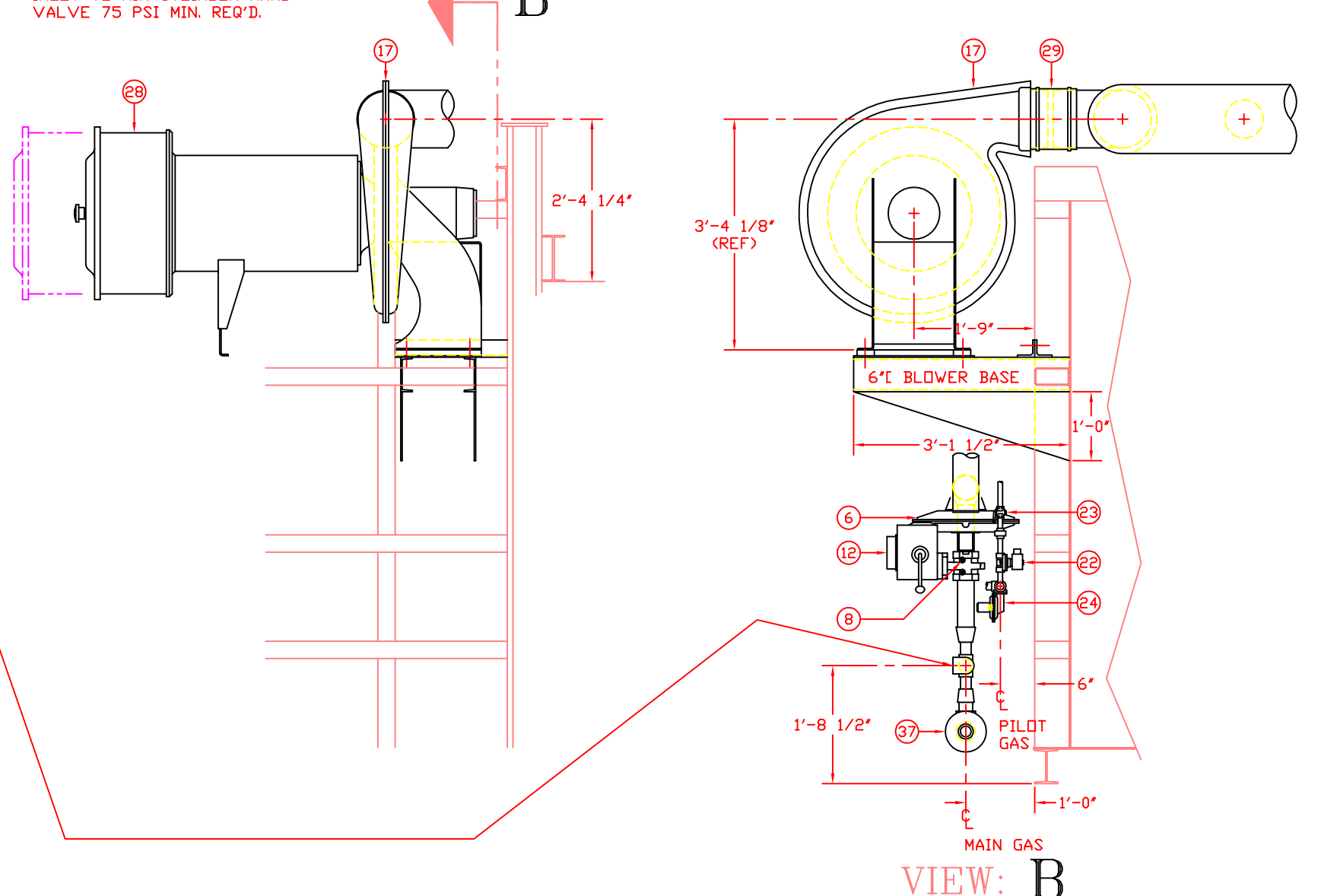
GS
 A GENERAL SIGNAL COMPANY
LINDBERG/MPH
 P.O. BOX 131
 MICHIGAN 49084
 1-616-849-2700 PHONE
 1-616-849-5021 FAX

TYPE: 62-APP 3500 GAS-FIRED STATIONARY ALUMINUM REGENERATORY MELTING FURNACE
 PART: COMBUSTION PICTORIAL (ASSEMBLY)
 DRAWN BY: SP
 DATE: APR-21-97
 SCALE: 1/2"=1' FT. DWG. NO. 2113-3509 (11 of 2)

CUSTOMER: CHRYSLER CANADA LTD.
 PROJECT: CHRYSLER CANADA

APPROVED FOR GENERAL ARRANGEMENT
 BY: _____ DATE: _____
 CHANGES REQ'D. ? YES: _____ NO: _____

REVISION DESCRIPTION	DATE	SYM
REVISION 1: 1/2" NPT. COMPRESSED AIR INLET TO AIR CYLINDER HAND VALVE 75 PSI MIN. REQ'D.	DEC-18-97	Δ
REVISION 2: 2" NPT. CONNECT TO SUPPLY OF 1000 BTU/CFH NATURAL GAS @ 9500 CFH FLOW, 10 PSI. INLET PRESSURE	AUG-15-97	Δ
REVISION 3: 1/2" NPT. COMPRESSED AIR INLET TO AIR CYLINDER HAND VALVE 75 PSI MIN. REQ'D.	AUG-04-97	Δ



VIEW: B

ISSUED FOR JOB NUMBER:	QTY.	DATE ISSUED TO BUILD
R-7049 CHRYSLER CANADA	1	AUG-04-1997
R-7050 CHRYSLER CANADA	1	AUG-04-1997
R-7051 CHRYSLER CANADA	1	AUG-04-1997
R-7052 CHRYSLER CANADA	1	AUG-04-1997